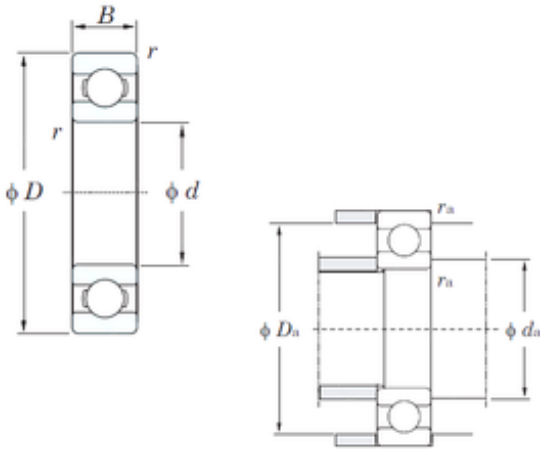




China 608rs Bearing Supplier

High quality NSK NTN KOYO 6300 6000 6200
6004 6201 6301 6900 2 rs zz bearing

Bearing No. 6300



6300 Bearing 2D drawings and 3D CAD models

Size	10x35x11 mm
Bore Diameter	10 mm
Outer Diameter	35 mm
Width	11 mm
d	10 mm
D	35 mm
B	11 mm
C	11 mm
r min.	0,6 mm
da min.	14 mm
Da max.	31 mm
ra max.	0,6 mm
Weight	0,053 Kg
Basic dynamic load rating (C)	8,1 kN
Basic static load rating (C0)	3,45 kN
(Grease) Lubrication Speed	22000 r/min
(Oil) Lubrication Speed	27000 r/min
Category	Single Row Ball Bearings
Inventory	0.0
Manufacturer Name	KOYO
Minimum Buy Quantity	N/A
Weight / Kilogram	0.058
Product Group	B00308
Enclosure	Open
Precision Class	ABEC 1 ISO P0



China 608rs Bearing Supplier

Maximum Capacity / Filling Slot	No
Rolling Element	Ball Bearing
Snap Ring	No
Internal Special Features	No
Cage Material	Steel
Internal Clearance	C0-Medium
Inch - Metric	Metric
Long Description	10MM Bore; 35MM Outside Diameter; 11MM Outer Race Width; Open; Ball Bearing; ABEC 1 ISO P0; No Filling Slot; No Snap Ring; No Internal Special Features; C0-Medium Internal Clearance; Steel Cage
Other Features	Deep Groove
Category	Single Row Ball Bearing
UNSPSC	31171504
Harmonized Tariff Code	8482.10.50.68
Noun	Bearing
Keyword String	Ball
Manufacturer URL	http://www.koyousa.com
Weight / LBS	0.11684
Outer Race Width	0.433 Inch 11 Millimeter
Bore	0.394 Inch 10 Millimeter
Outside Diameter	1.378 Inch 35 Millimeter
Inner Race Width	0 Inch 0 Millimeter
Bearing No.	6300
r(min)	0.6
Cr	10.1
C0r	3.45
Cu	0.270
f0	11.2



China 608rs Bearing Supplier

Grease lub.	22000
Oil lub.	27000
da(min)	14
Da(max)	31
ra(max)	0.6
(Refer.)Mass(kg)	0.053