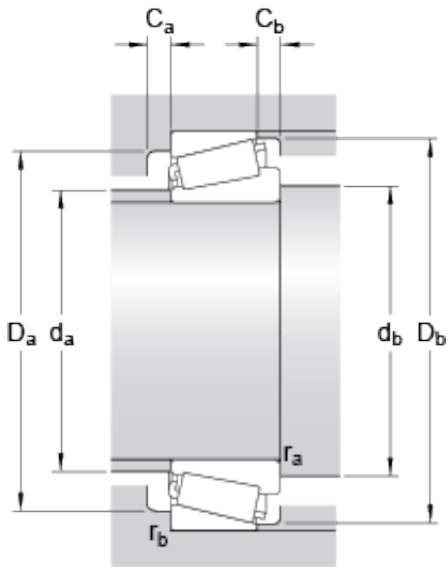




## China 608rs Bearing Supplier



33012 Bearing 2D drawings and 3D CAD models

### SKF Bearing Succedaneum 33012 Tapered Roller Bearing

Bearing No. 33012

Dimension series	2CE
d	60 mm
D	95 mm
T	27 mm
d <sub>1</sub>	77.2 mm
B	27 mm
C	21 mm
r <sub>1,2</sub> min.	1.5 mm
r <sub>3,4</sub> min.	1.5 mm
a	19.91 mm
d <sub>a</sub> max.	67 mm
d <sub>b</sub> min.	69 mm
D <sub>a</sub> min.	85 mm
D <sub>a</sub> max.	87 mm
D <sub>b</sub> min.	90 mm
C <sub>a</sub> min.	5 mm
C <sub>b</sub> min.	6 mm
r <sub>a</sub> max.	1.5 mm
r <sub>b</sub> max.	1.5 mm
Basic dynamic load rating C	113 kN
Basic static load rating C <sub>0</sub>	143 kN
Fatigue load limit P <sub>u</sub>	16 kN
Reference speed	5300 r/min
Limiting speed	6700 r/min
Calculation factor e	0.33



## China 608rs Bearing Supplier

Calculation factor Y	1.8
Calculation factor $Y_0$	1
Mass bearing	0.7 kg